

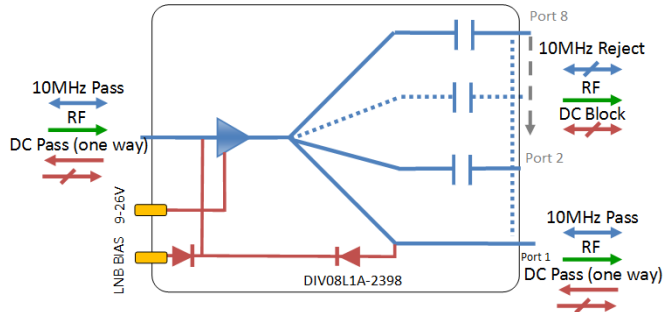


RF Components

# 8-way L-band Active Splitter

## 850-2150 MHz

Model Number:  
**DIV08L1A-2398**



- 10MHz and DC pass from common port to port-1. All other ports are DC & 10MHz blocked
- Current flow is restricted in one direction, into the common port only
- Unity gain
- There is a separate DC inject port to facilitate LNB bias

Available with RF connector options:

- 50 Ω SMA
- 50 Ω N-type
- 50 Ω BNC
- 75 Ω BNC
- 75 Ω F-type

**9-26V**  
External DC  
powering

**850-2150 MHz**  
Operating frequency  
range.



**Compact**  
Housed in  
rugged compact  
enclosure

**Flexible  
Mounting**  
Tapped screw &  
through hole  
mounting options

RF Parameters						
DIV08L1A-2398-XXXX	S5S5	N5N5	B5B5	B7B7	F7F7	
Frequency Range	850-2150 MHz					
RF Connectors	50Ω SMA	50Ω N-Type	50Ω BNC	75Ω BNC	75Ω F-Type	
Mean Gain (dB)	0±1.5	0±1.5	0±1.8	0±2.0	0±2.5	
Flatness ± (dB)	1.0	1.0	1.0	1.2	1.5	
Input Return Loss (dB)	Typ.	14	12	12	10	
	Min	8	8	8	8	
Output Return Loss (dB)	Typ.	16	15	15	12	12
	Min	12	12	10	10	8
Output P1dB GCP** (dBm)	Typ.	1	1	1	1	1
	Min	-2	-2	-2	-2	-2
Isolation (dB)	Typ.	16	16	16	16	16
Output IP3 (dBm)	Typ.	10	10	10	10	10
Noise Figure (dB)	Typ.	8	8	8	8	8

10MHz Insertion Loss is 0 ±3dB\*  
 \*To ports which are applicable  
 \*\*GCP (Gain Compression Point)

**Broadcast**



**Marine Oil & Gas**



**SNG & VSAT**



**Satellite Teleport**

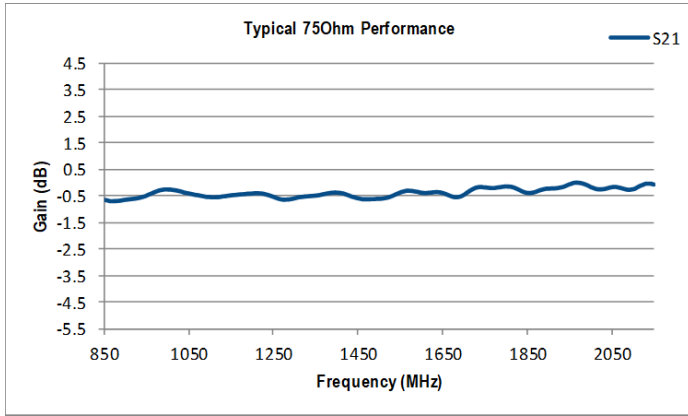




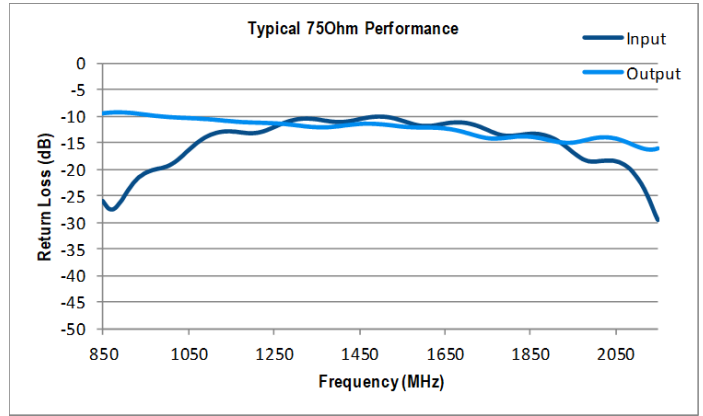
RF Components

Model Number:  
**DIV08L1A-2398**  
8-way L-band Active Splitter

Technical specifications and operating parameters



Gain (dB)



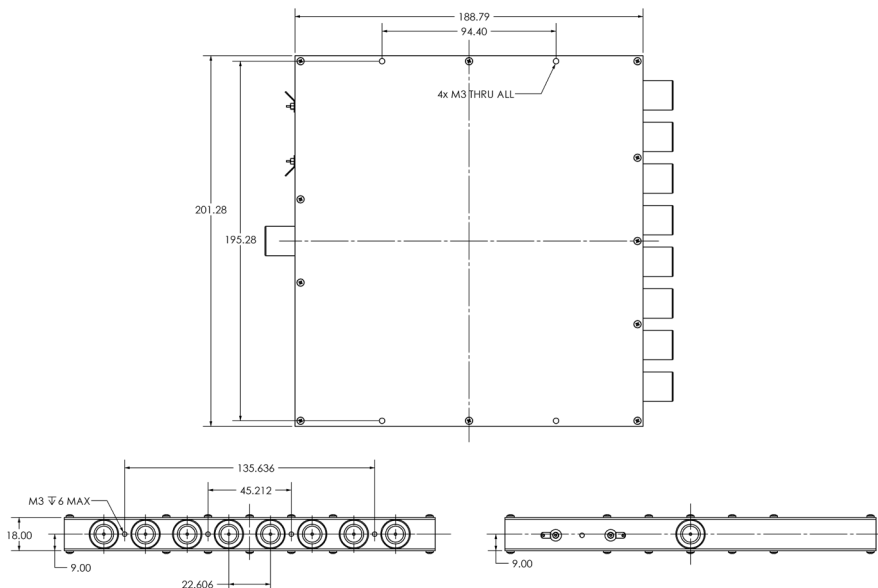
Return Loss (dB)

Environmental		
Operating Temperature		0°C to +45°C
Storage Temperature		-20°C to +75°C
Location		Indoor use Only
Humidity	Max	85% non-condensing
Altitude	Max	10,000 feet

Max Operating Parameters		
Input RF Power		+16 dBm (40mW)
DC Voltage		35V on any RF port
DC Current	Max	500mA
DC Consumption		100mA Max, 80mA typical

**!** Operation beyond these limits may cause instantaneous and permanent damage.

Physical Dimensions (mm)



Note: The specification is subject to regular reviews and will be updated from time to time as part of our continuing product development and improved specification accuracy.

ETL SYSTEMS LIMITED  
Coldwell Radio Station  
Madley  
Hereford  
England HR2 9NE

TELEPHONE  
+44 (0)1981 259020  
  
EMAIL  
info@etlsystems.com

FACSIMILE  
+44 (0)1981 259021  
  
WEB  
www.etlsystems.com

